

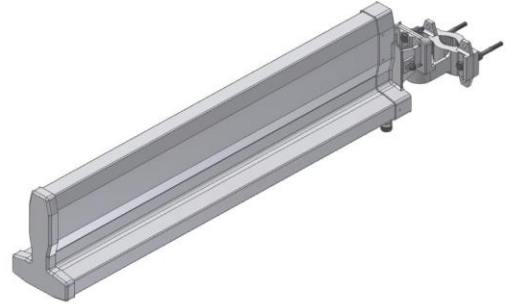
Multi-Band Mimo Log Antenna

824~894 MHz, 1710~2690 MHz / 8, 11dBi

CPWW-MYG-811

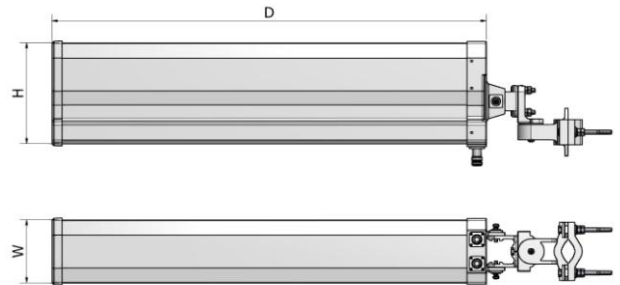
i. Electrical Specification

Frequency Range	824~894	1710~2690		
Polarization	Vertical	Vertical		
Band Width	70 MHz	980 MHz		
Gain	≥ 8 dBi	≥ 11 dBi		
Beam width	Horizontal	65°±15°	50°±15°	50°±15°
	Vertical	60°±15°	40°±10°	40°±10°
F-B ratio (Horizontal & Vertical)	≥ 15 dB			
VSWR	1:1.5			
Impedance	50 Ω			
IMD (3rd)	≤ -150dBc @ 2x37dBm			
IMD (5th)	≤ -160dBc @ 2x37dBm			
Maximum input power	PER PORT 100 W			

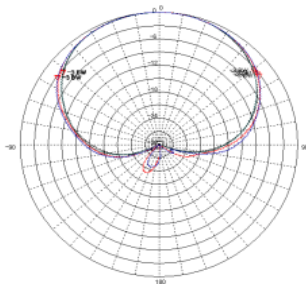


ii. Mechanical Specification

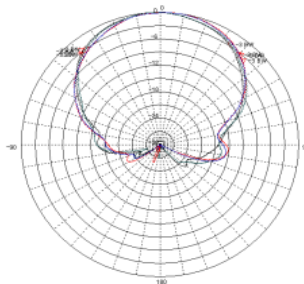
Radom Dimension (HxWxD)	160 X 100 X 610 mm
Weight (Antenna only)	≤ 1.7Kg
Connector Type	N-J (Female)
Radome Material	ASA
Radome Color	취색(Pantone 427C ~429C)
Mechanical Tilt	Up, Down ± 30°
	Shaft ± 45°
Temperature	-40 °C ~ 70 °C
Packing Size (H x W x D) 10SET	-
Packing Weight 10SET	-



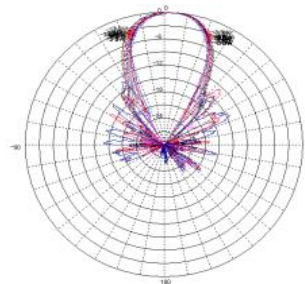
iii. Radiation Pattern



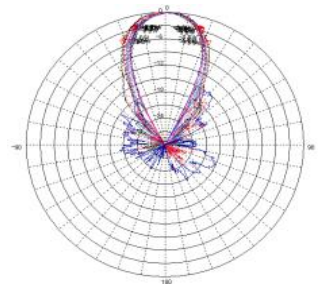
Horizontal Pattern
(Low Band)



Vertical Pattern
(Low Band)



Horizontal Pattern
(High Band)



Vertical Pattern
(High Band)